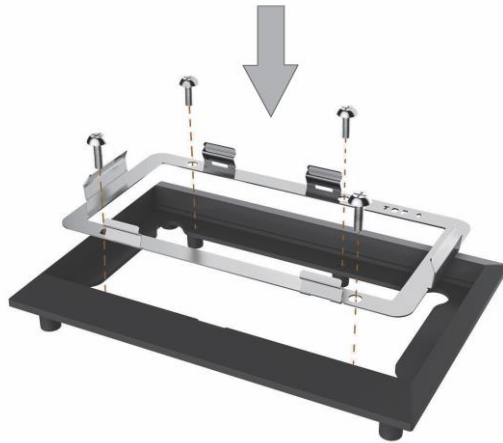
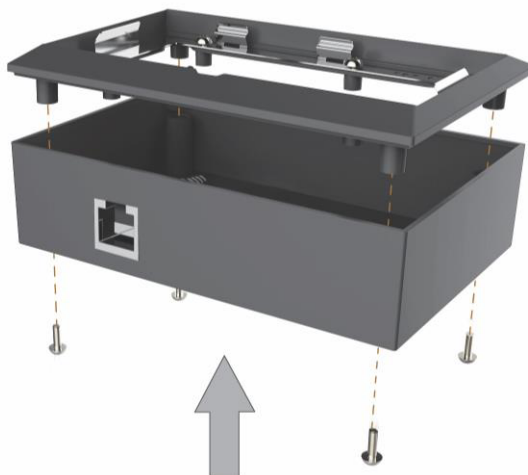


INSTALL INSTRUCTION ASS050300000 Box for wall mounting of 65 x 120mm GX-panels

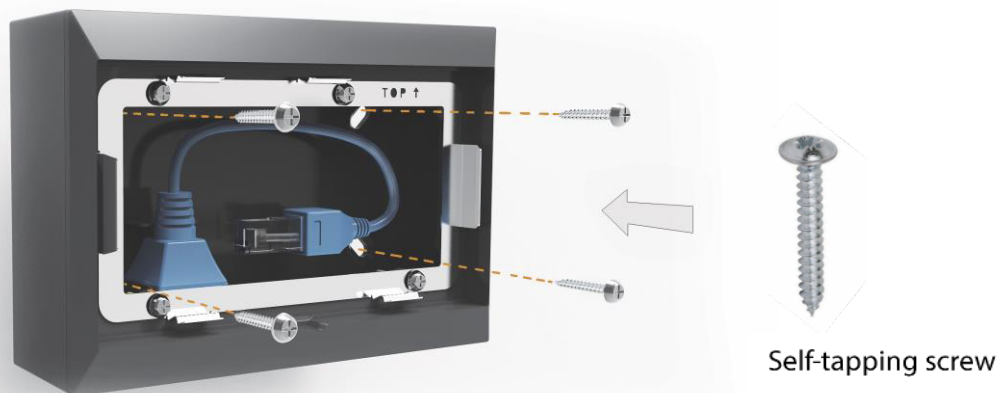
Step 1: assemble the metal frame to the top plastic part of wall mounting box (4 screws)



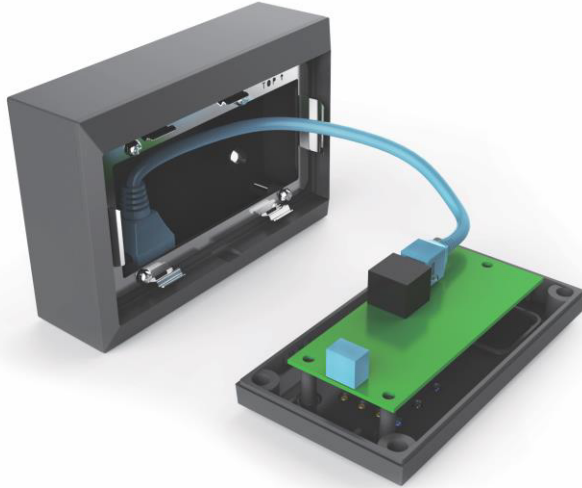
Step 2: tighten the top side to bottom side plastic part by the 4 screws



Step 3: assemble the wall mounting box to the wall



Step 4: connect the cable (blue) to the control panel



Step 5: place the front panel to the wall mounting box



Step 6: connect the remote control to the product by inserting the cable to the wall mounting connector

