

GR S

MAXIMUM POWER QUALITY COMBINED WITH ENERGY SAVING

600VA – 2000VA

With its pure sine wave output, GR S is the best choice for all sensitive loads (e.g. large Hi-Fi, home theatre and cinema, gaming), workstations, servers and telecom and networking equipment.



IDEAL FOR



Routers and WiFi



Gaming and TV



Small businesses



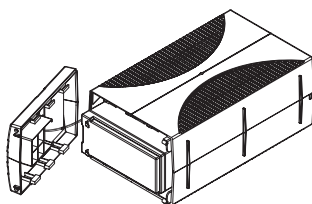
Servers and networking

FEATURES

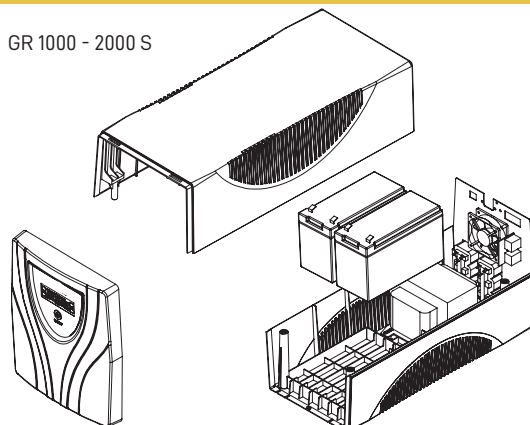
- Line-interactive UPS with pure sine wave output to ensure maximum power quality and protection for all sensitive devices.
- Connected devices are always available because they can be powered up when there is no mains power.
- Automatic restart after prolonged blackouts means that it is always ready to protect your loads.
- The built-in automatic voltage regulator (AVR) stabilises the power when there are mains faults (e.g. spikes, sags, over- and under-voltages etc.), providing high levels of power protection and quality.
- Free downloadable software for monitoring events and shutting down IT equipment, compatible with the main operating systems.
- The backlit LCD display makes it easy to read the UPS status, so all parameters can be kept under control.
- Easy battery replacement.
- The plug-in feature ensures that the battery is always charged: the UPS charges the battery even when it is switched off.
- The advanced management system and the wide input voltage and frequency range extends battery life.
- The built-in USB communication port makes it easy to connect to the PC.
- RJ45 surge protection for telephone and internet lines.
- Supplied with input power cable, output cable and USB cable.
- 2-year warranty.

EASY BATTERY REPLACEMENT

GR 600 - 800 S



GR 1000 - 2000 S

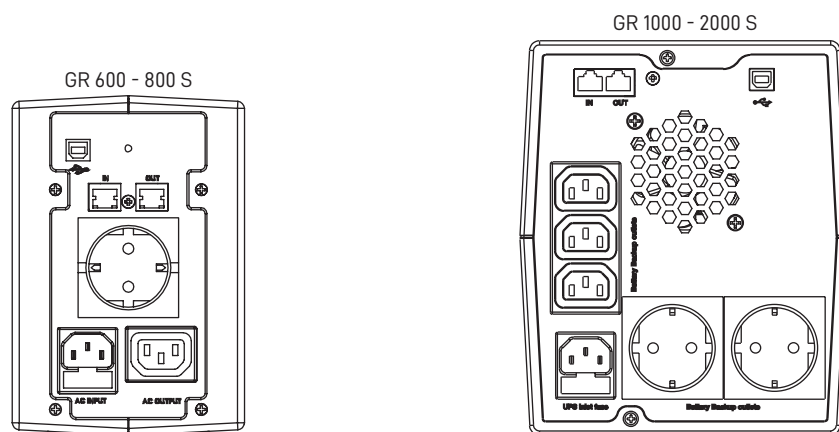


GR S TECHNICAL DATA SHEET

MODEL		GR600S LCD	GR800S LCD	GR1000S LCD	GR1500S LCD	GR2000S LCD	
POWER	VA	600	800	1000	1500	2000	
	W	420	560	700	1050	1400	
INPUT	Rated voltage	160 – 290 Vac					
	Frequency	45–65 Hz					
OUTPUT	Rated voltage	220/230/240 Vac ± 10%					
	Frequency on battery power	50/60 Hz ± 1 Hz					
	Waveform	Sine wave					
	Output sockets	1 IEC 320-C13 + 1 Schuko		3 IEC 320-C13 + 2 Schuko			
GENERAL	Dimensions (WxDxH) mm	116x305x171		165x393x198			
	Weight (kg)	5.5	7.1	9.3	12.4	12.6	
	Alarms	Audible and visual alarm alerts for: power failure, low battery, overload, and UPS fault.					
	Protection	Overload, short circuit, deep discharge, overcharging					
	Plug-in battery charging feature	Standard for all models					
	Cold start from the battery without mains power	Standard for all models					
BATTERY	Battery type	12V VRLA, AGM (maintenance-free lead)					
	Uptime with internal battery (in minutes)*	50% load	7	4	5	4	4
		75% load	2	2	3	2	1
ENVIRONMENTAL PARAMETERS	Operating temperature**	0–40°C					
	Relative humidity	0%–90% (non-condensing)					
	Altitude (a.s.l.)	<1000 m with no power derating, >1000 m with 1% derating for every 100 m.					
	Audible noise at 1 m.	≤40 dB					
CONNECTIVITY	Communication ports	USB					
	User interface	LCD display showing: Operating mode (AC Mode/AVR Mode/Battery Mode), battery charge level, input and output voltage, load percentage, fault, or battery weak					
	Compatible software platforms	Microsoft Windows, Linux, Mac OS					
REGULATIONS	Standards	IEC EN 62040-1, IEC EN 62040-2, IEC EN 62040-3					
	Marking	CE					

Specifications subject to change without notice - Rev. 22.09

BACK PANEL



* Subject to conditions

** To be verified according to the battery parameters